



robo|flex[®]

SUPPORTS CATALOG





ROBOFLEX®

Roboflex® transforms customers' operational processes into intelligent ecosystems in a personalized way, fostering constant innovation, agility in operations, greater competitiveness and greater connectivity in this digital age.

DIFFERENTIALS



CONNECTING AND CHARGING DEVICES

Roboflex® technology turns your device into a communication interface for your specific operation.



SPECIFIC TO YOUR BUSINESS

Flexibility in customizations of its products to tailor the integration solution to the customer's specific operation.



EASY INSTALLATION

Installation of hardware without damage to assets and products modulated in a single ecosystem.



RESISTANT AND RELIABLE

Robust products, developed to withstand extreme environmental conditions, resistant to water, dust, impact and vibration. Roboflex® cases comply with degrees of protection and resistance to falls, impact and vibration.

HOW DOES IT WORK?

Customize a solution specific to your operation.



1 CHOOSE A BASE TO ATTACH TO THE SURFACE

Choose between bases:



2 CHOOSE AN ARM

Choose between long and short arms



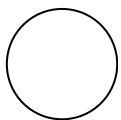
3 CHOOSE A BASE TO ATTACH TO YOUR EQUIPMENT

Choose between bases:



SIZE OF THE SPHERES

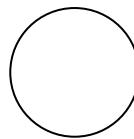
Size B balls contain a diameter of 1" (25.4 mm)



Size B

Supports equipment up to 0.7 kg in vibrational state, and 1 kg in static state.

Size C spheres contain a diameter of 1.5" (38.1 mm)



Size C

Supports equipment up to 1.8 kg in vibrational state, and 2 kg in static state.

SCREWED BASE

The bolted base is intended for operations where the equipment will be in a fixed location, without mobility and easy access for all users. It keeps the product safe and protected against weather, shaking and falls. Made of high strength and lightweight material, it is a great solution to keep your equipment safe without compromising the ability to adjust.



High strength material



Protection against bad weather

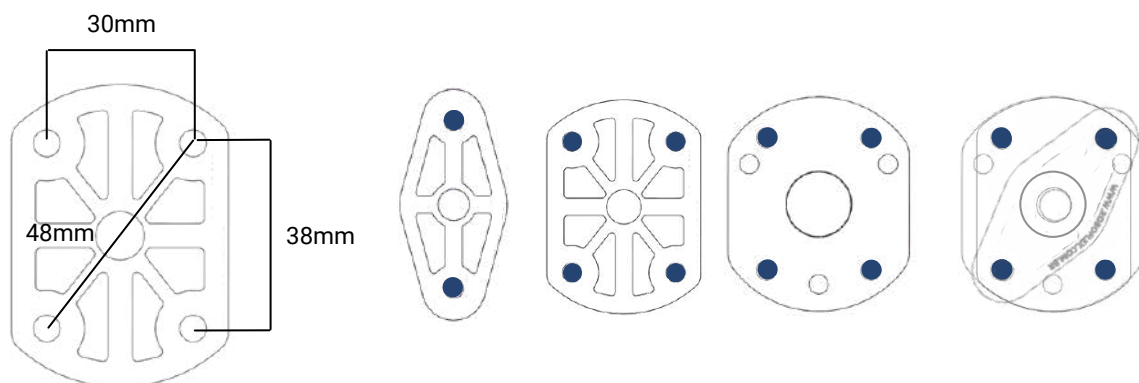


Lightweight product and modern design



Long life product

Hole pattern



The AMPS hole pattern is an international industry standard configuration. It consists of four (4) holes located in a rectangular pattern spaced at 30 mm by 38 mm. In some cases, the AMPS standard consists of multiple holes, allowing the support to be installed in horizontal or vertical orientation.

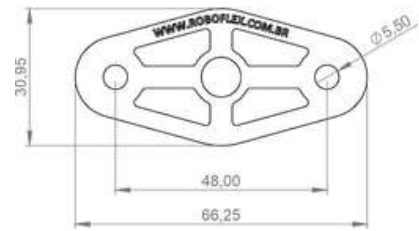
- For indications of models of screws and fasteners corresponding to the bases, please consult the Roboflex® sales department.
- Screws and fasteners not included in the product

SCREWED BASE



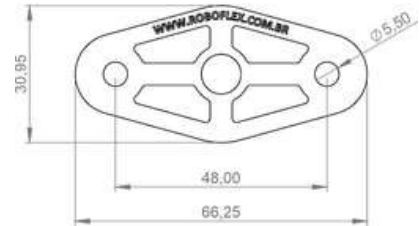
2 hole base
Size B
Code: BSE040010

2 hole AMPS hole pattern: 48mm
Ball size: size B (1")
Weight capacity standard use: 1 kg
heavy use: 0.7 kg.
Material: High strength composite
Weight: 40 g



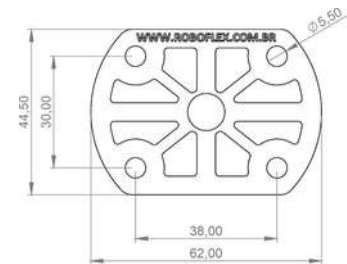
2 hole base
Size C
Code: BSE040011

2 hole AMPS hole pattern: 48mm
Ball size: size C (1.5")
Weight capacity standard use: 2 kg
heavy use: 1.8 kg.
Material: High strength composite
Weight: 60 g



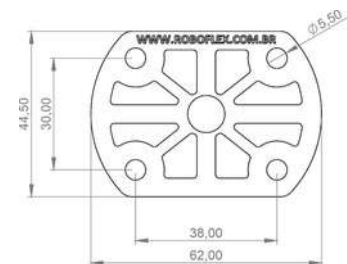
4-hole base
Size B
Code: BSE040007

4-hole AMPS hole pattern: 30 x 38mm
Ball size: size B (1")
Weight capacity: standard use: 1 kg
heavy use: 0.7 kg.
Material: High strength composite
Weight: 40 g



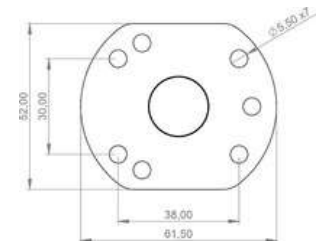
4-hole base
Size C
Code: BSE040008

4-hole AMPS hole pattern: 30 x 38mm
Ball size: size C (1.5")
Weight capacity: standard use: 2 kg
heavy use: 1.8 kg.
Material: High strength composite
Weight: 60 g



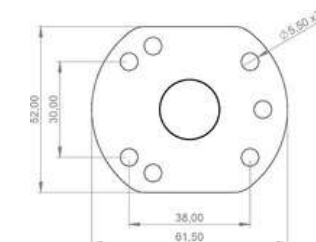
7-hole base
Size B
Code: BSE040003

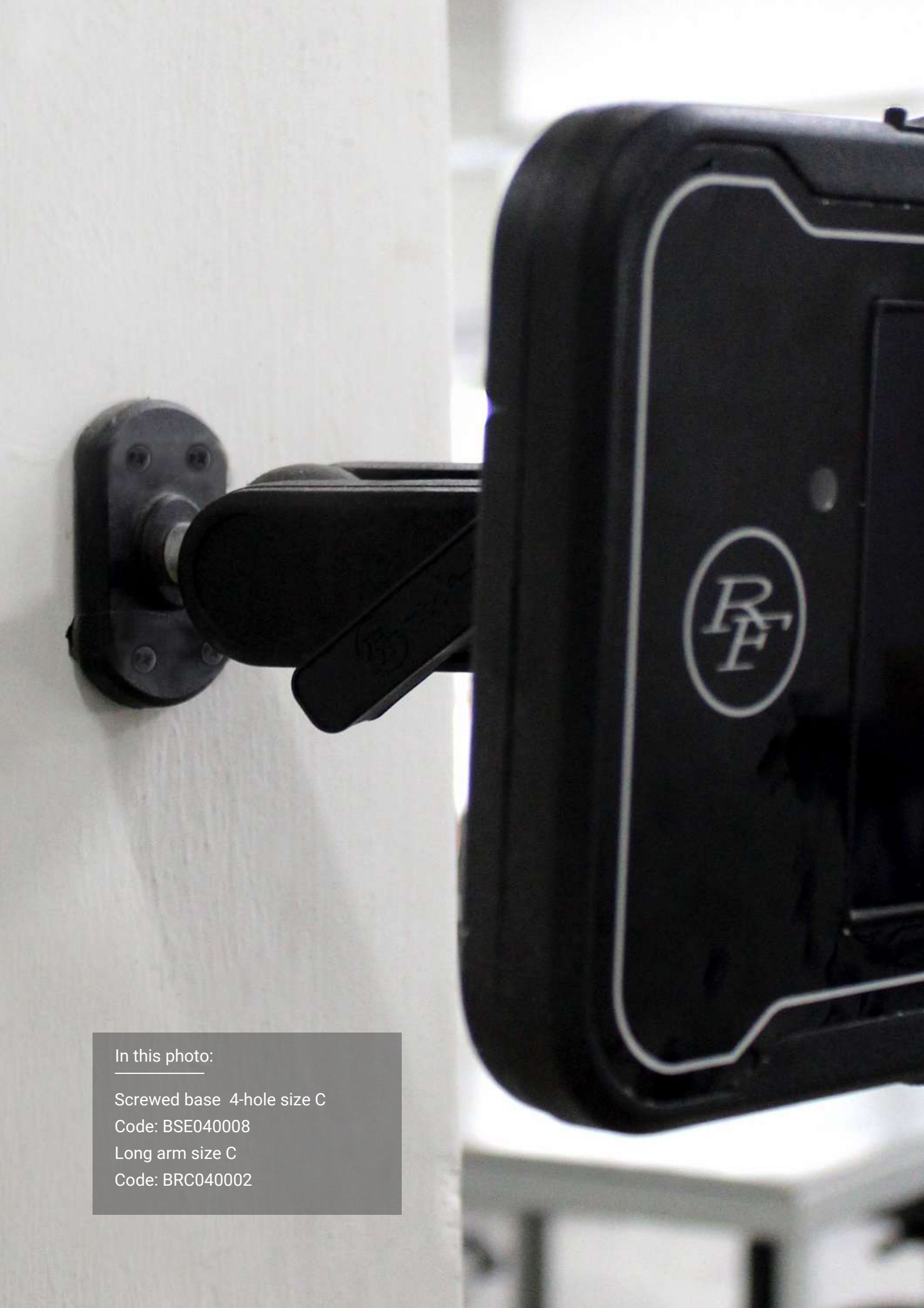
7-hole AMPS hole pattern: 30 x 38mm
Ball size: size B (1")
Weight capacity: standard use: 1 kg
heavy use: 0.7 kg.
Material: High strength composite
Weight: 60 g



7-hole base
Size C
Code: BSE040004

7-hole AMPS hole pattern: 30 x 38mm
Ball size: size C (1.5")
Weight capacity: standard use: 2 kg
heavy use: 1.8 kg.
Materials: High strength composite
Weight: 60 g





In this photo:

Screwed base 4-hole size C

Code: BSE040008

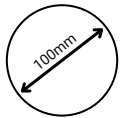
Long arm size C

Code: BRC040002

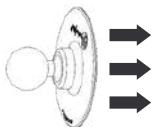
ADHESIVE BASE



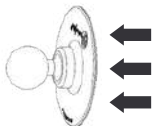
The adhesive backing enables application to the equipment without holes or alterations. Ideal for cases where removal will be required after a period of time.



Malleable flat base with a diameter of 100mm. Allows fixing on flat and organic surfaces



High-tech adhesive for fixing. Can be reused with refill kit



Easy process of removing the product after its period of use



150° High performance adhesive with durability up to 150 degrees after application

Developed with technology where the surface is molded according to the application geometry, it can be applied to plastics, glass and metal.



Adhesive base size B
Code: BSE040020
Weight: 60g



Adhesive Base Refill Size B
Code: BSE040032



Adhesive base size C
Code: BSE040021
Weight: 80g



Adhesive Base Refill size C
Code: BSE040033

In this photo:

Adhesive base size C

Code: BSE040021

Long arm size C

Code: BRC040002

Magnetic plug size C

Code: PLG040005



In this photo:

Adhesive base size C

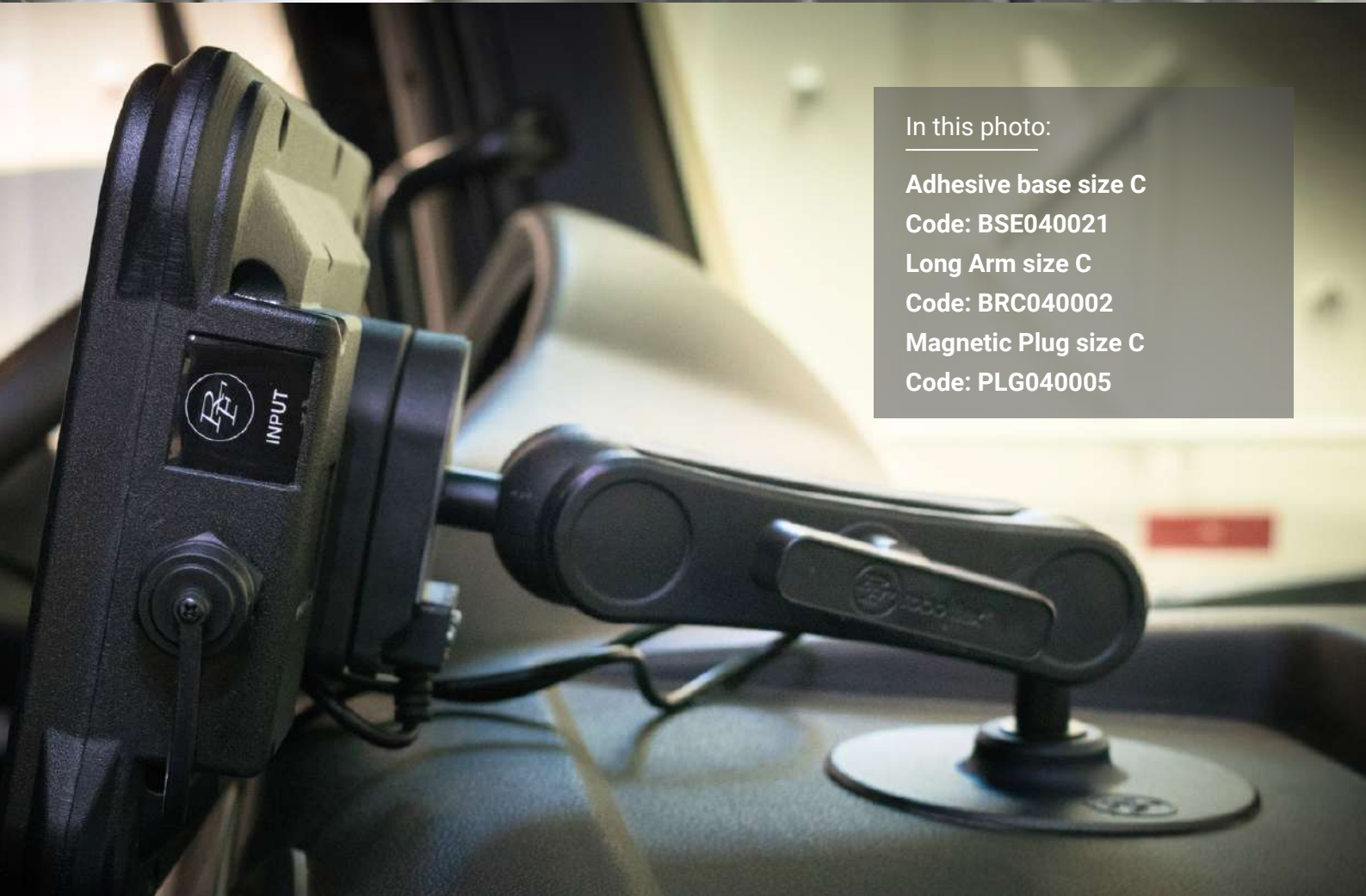
Code: BSE040021


Long Arm size C

Code: BRC040002

Magnetic Plug size C

Code: PLG040005





In this photo:

Double tubular base size C

Code: BSE040024

Short arm size C

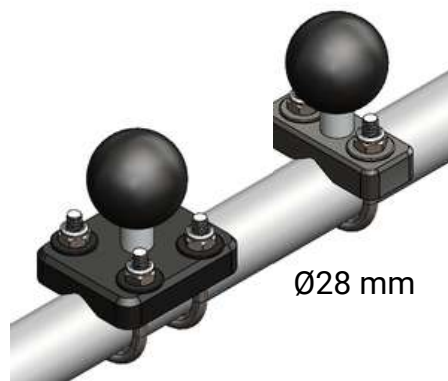
Code: BRC040004

Base 4 holes size C

Code: BSE040008

TUBULAR BASE

Tubular bases offer a practical and safe solution for fixing to tubular shaped objects and can be installed on tubes up to 28mm. Ideal for installation on forklift, tractor and other spaces with round tubes.



Tubular base
Size B
Code: BSE040022
Weight capacity:
Standard use: 1 kg
Heavy use: 0.7 kg



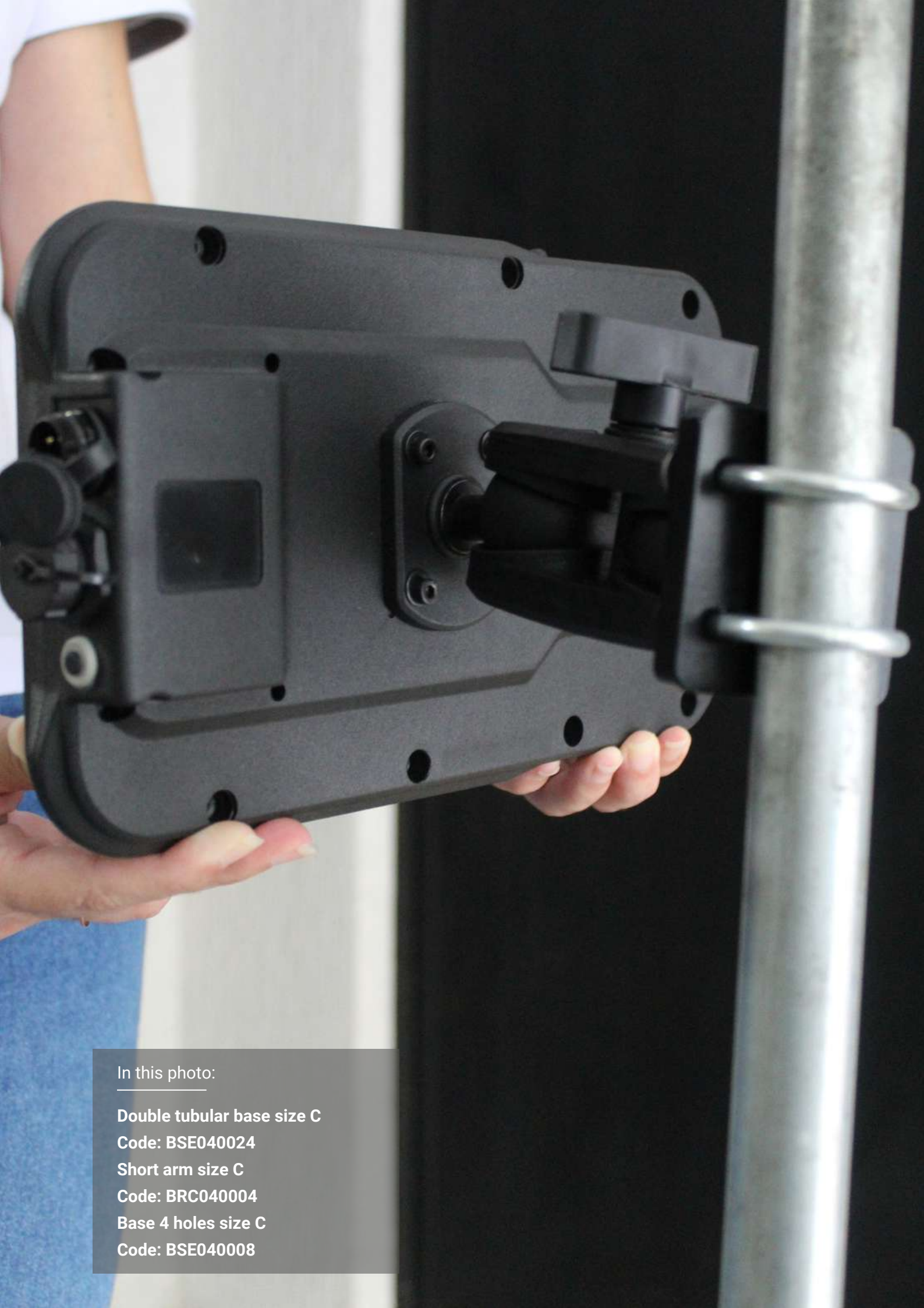
Tubular base
Size C
Code: BSE040023
Weight capacity:
Standard use: 2 kg
Heavy use: 1.8 kg



Double tubular base
Size B
Code: BSE040025
Weight capacity:
Standard use: 1 kg
Heavy use: 0.7 kg



Double tubular base
Size C
Code: BSE040024
Weight capacity:
Standard use: 2 kg
Heavy use: 1.8 kg



In this photo:

Double tubular base size C

Code: BSE040024

Short arm size C

Code: BRC040004

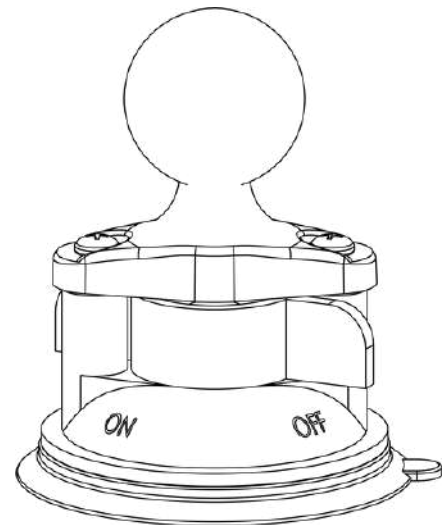
Base 4 holes size C

Code: BSE040008

SUCTION CUP BASE

The suction cup line is ideal for users who require constant removal of the equipment during or at the end of the operation, offering dynamism and ability to resist impacts and temperature where it will be fixed.

Roboflex® suction cups use instant vacuum technology where the absorption level is highly resistant in the long term even at high operating temperatures. It provides extra security for attachment to glass, metal, non-porous and non-slotted surfaces, allowing the equipment to be removed with ease. .



Suction cup base
Size B
Code: BSE040016
Weight capacity:
- Standard use: 1.0 kg
- Heavy use: 0.7 kg



Suction cup base
Size C
Code: BSE040015
Weight capacity:
- Standard use: 2.0 kg
- Heavy use: 1.8 kg



Double Suction Cup Base
Size B
Code: BSE040017
Weight capacity:
- Standard use: 1.0 kg
- Heavy use: 0.7 kg



Double Suction Cup Base
Size C
Code: BSE040018
Weight capacity:
- Standard use: 2.0 kg
- Heavy use: 1.8 kg



Triple Suction Cup Base
Size B
Code: BSE040014
Weight capacity:
- Standard use: 1.0 kg
- Heavy use: 0.7 kg



Triple Suction Cup Base
Size C
Code: BSE040012
Weight capacity:
- Standard use: 2.0 kg
- Heavy use: 1.8 kg



In this photo:

Triple suction cup base size C

Code: BSE040012

Long arm size C

Code: BRC040002

Magnetic plug size C

Code: PLG040005



In this photo:

Triple suction cup base size C

Code: BSE040012

Short arm size C

Code: BRC040004

Base 4 holes size C

Code: BSE040008

WHERE TO INSTALL

ROBOFLEX® solutions can be installed in offices, manufacturing environments, automobiles, aircraft, marine and even heavy vehicles, offering various customization options and installation locations.

Find the best solution for your business, with compatible options for installation on panels, windshields, windows, walls, vehicle columns or thin beams.



Adhesive base size C Code:
BSE040021
Long arm size C
Code: BRC040002
Magnetic plug size C
Code: PLG040005



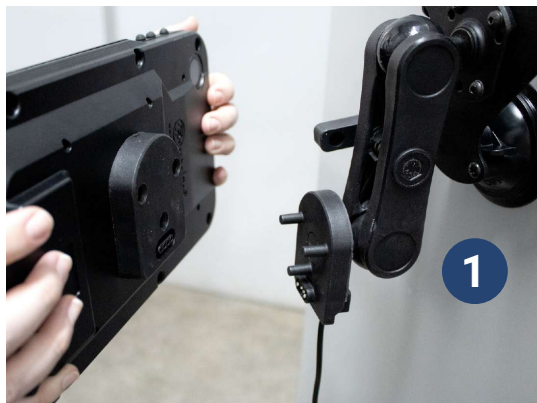
Adhesive base size C
Code: BSE040021
Long arm size C
Code: BRC040002
Magnetic plug size C
Code: PLG040005



Adhesive base size C
Code: BSE040021
Long arm size C
Code: BRC040002
Magnetic plug size C
Code: PLG040005



Base 4 holes size C
Code: BSE040008
Long arm size C
Code: BRC040002

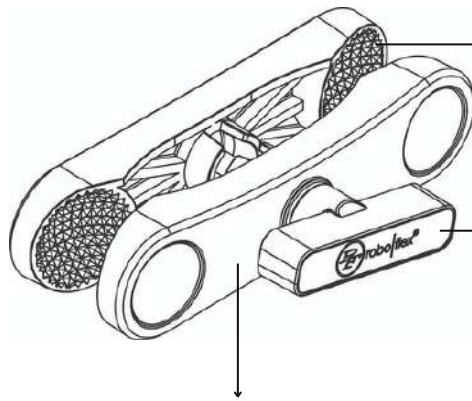


Triple suction cup base size C
Code: BSE040012
Long arm size C
Code: BRC040002
Magnetic plug size C
Code: PLG040005



Double tubular base size C
Code: BSE040024
Short arm size C
Code: BRC040004
Base 4 holes size C
Code: BSE040008

ARM



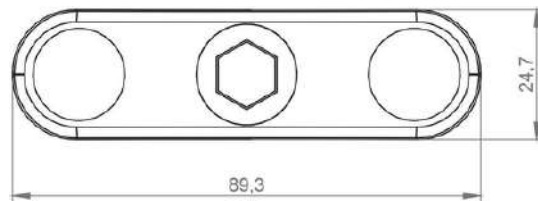
Diamond grip system.
Promotes maximum adhesion with the base

Handle system with pressure adjustment.
Calibrate the best pressure with the base

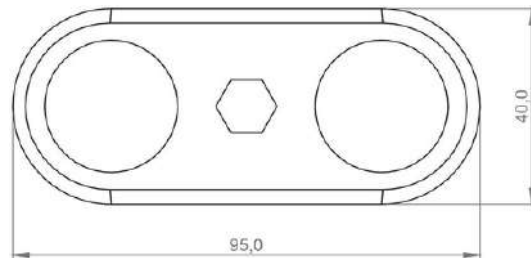
High strength composite material with UV protection
allowing longer life and weight reduction



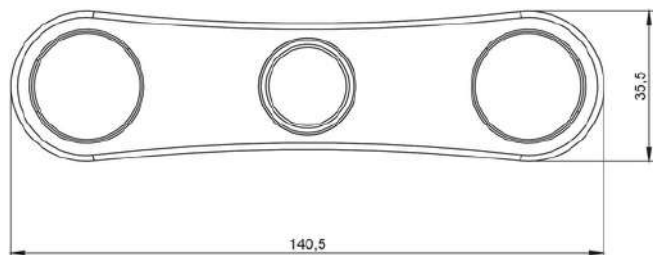
Short arm
Size B (1")
Code: BRC040003
Weight: 80g



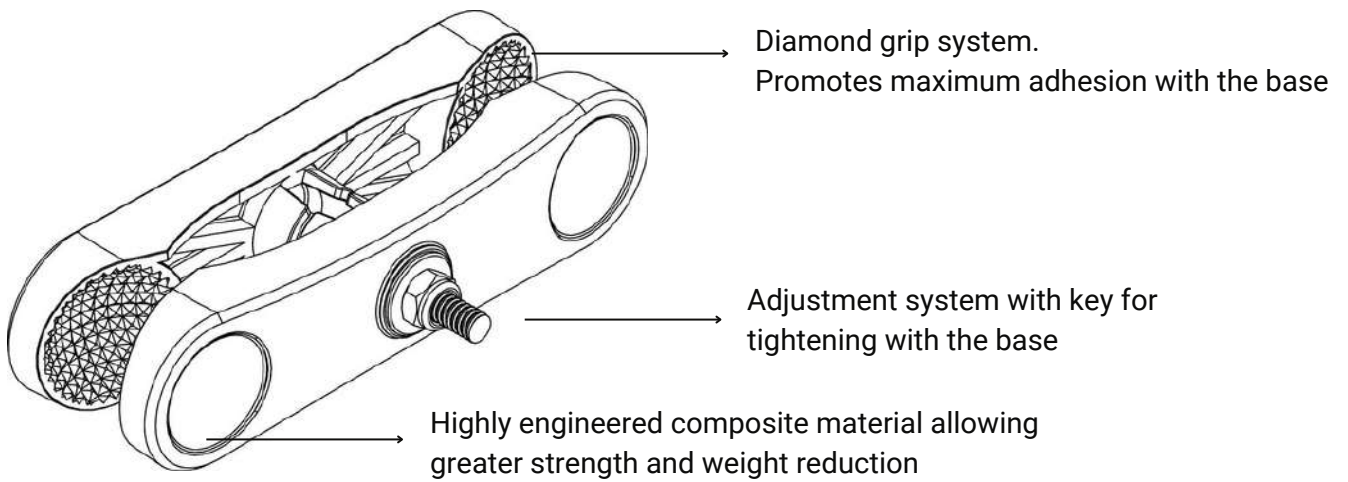
Short arm
Size C (1.5")
Code: BRC040004
Weight: 140g



Long arm
Size C (1.5")
Code: BRC040002
Weight: 160g



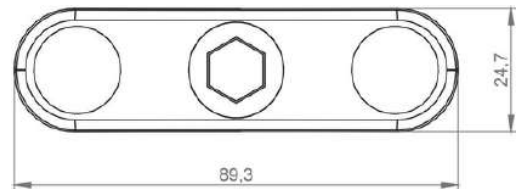
LOCKABLE ARM



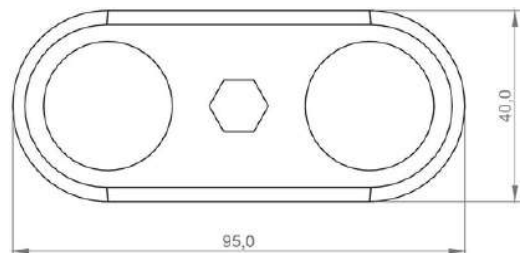
Different from the traditional template, the lockable model has a key-operated arm adjustment system. Ideal for restricting the number of people who can adjust the part and prevent theft, vandalism and sabotage.



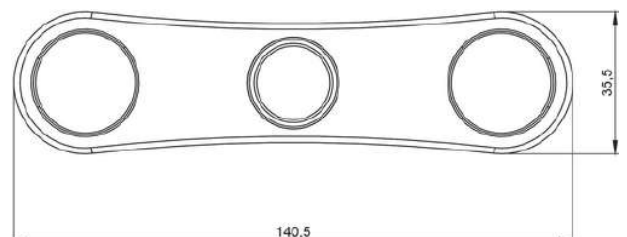
Short self-locking arm
Size B
Code: BRC040006
Weight: 60g



Short self-locking arm
Size C
Code: BRC040007
Weight: 140g



Long self-locking arm
Size C
Code: BRC040005
Weight: 140g



In this photo:

Adhesive base size C

Code: BSE040021

Short arm size C

Code: BRC040004



In this photo:

Adhesive base size C

Code: BSE040020

Short self-locking arm size B

Code: BRC040006



ROBOFLEX® MAGNETIC SYSTEM

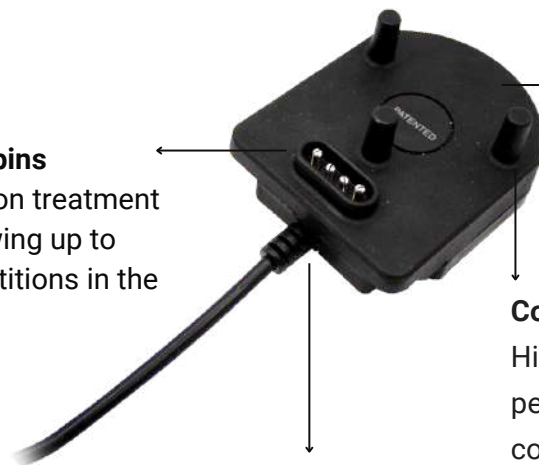


The Roboflex® magnetic system is a patented technology that allows the charging of devices in the cases of the Roboflex® ecosystem.

It offers robustness in the field activity, withstanding aggressive situations such as vibrations, impacts, weather and repetitions as constant removal of the product during the operation.

Ideal for operations like:

- Operational checklist
- Necessity of off-center pointing from the place of attachment .
- Possibility of moving the device to another operating site



Industrial connection pins

They have anti-corrosion treatment and repeatability, allowing up to 100,000 cycles of repetitions in the connections.

Magnetic attachment

Through high performance N35 neodymium magnets

Coupling centering pins

High strength compound that allows the perfect alignment of the couplings to the connections, providing long-term mechanical resistance.

Electrical protection of cabling

Anti-vandalism system by means of wired rubber protectors with flameproof protection



Magnetic plug Size C

Code: PLG040005

Weight: 180g

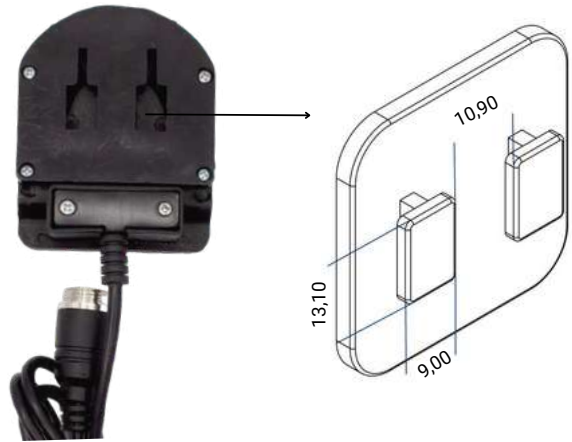
View our magnetic solution in operation



ROBOFLEX® MAGNETIC SYSTEM



Magnetic plug with coupling
Code: PLG040007
Weight: 100g



Compatible with "Dual T-Slot" mounting

In this photo:

Long arm

Code: BRC040002

1.5" magnetic plug

Code: PLG040005



ADAPTERS



Extender size C
Code: BSE040026

Used to extend the length of the support requiring the use of two arms.

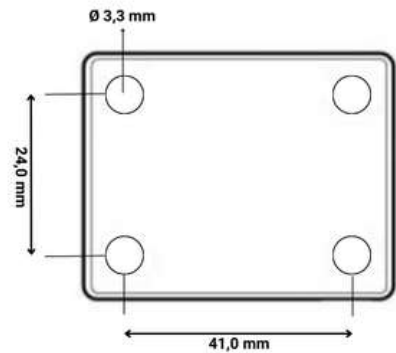


Ball base size B screw 1/4"
Code: BSE040028

Base with 1/4" size screw compatible with international bases for replacement.



Adapter base size C
*Product outside AMPS bore standard
Code: BSE040029



POPULAR ASSEMBLIES



Screwed support base 4 holes
Code: SPT040011
Components:
Base 4 holes size C
Long arm size C
Base 4 holes size C



Screwed support base 4 holes/2 holes
Code: SPT040020
Components:
Base 2 holes size C
Short arm size C
Base 4 holes size C



Screwed support base 2 holes
Code: SPT040023
Components:
Base 2 holes size C
Short arm size C
Base 2 holes size C



Support with 4-hole base/adhesive base
Code: SPT040004
Components:
Base 4 holes size C
Long arm size C
Adhesive base size C

POPULAR ASSEMBLIES



Support with magnetic plug/base holder 4 holes

Code: SPT040007

Components:

Magnetic plug size C

Long arm size C

Base 4 holes size C



Support with 2-hole base/adhesive base

Code: SPT040003

Components:

Base 2 holes size B

Short arm size B

Adhesive base size B



Support with magnetic plug holder/adhesive base

Code: SPT040008


Components:

Magnetic plug size C

Long arm size C


Adhesive base size C

Roboflex® has a line of supports with several varieties of bases, arms, plugs, adapters, accessories and assembly kits, being able to customize specifically for the particularities of your operation, if you have doubts or need assistance in the best choice of your mountability, contact our communication channels.

 31 983520942

 comercial@roboflex.com.br

 31 3054-4970

 www.roboflex.com.br



www.roboflex.com.br

31 3054-4970

31 983520942

comercial@roboflex.com.br