



SOLUTIONS FOR AGRICULTURE



ROBOFLEX® SOLUTIONS IN DIGITAL AGRICULTURE

Digital agriculture is becoming increasingly important in optimizing the production process and reducing costs. To meet this demand, Roboflex® offers innovative and customized solutions for the implementation of hardware in this sector.

The difference begins with the use of tablet cases with a degree of protection compatible with IP54 to IP65. Roboflex® works on the integration between system and user. This enables a wide range of possibilities in terms of connectivity and mobility, as well as allowing the integration of different types of systems, sensors and monitoring devices.

In addition, our range of brackets is extremely versatile and adaptable to customer needs, ensuring simple and efficient installation. This allows our solution to be easily applied in different environments, equipment and agricultural machinery.

Roboflex® is always striving to offer solutions that help users maximize the efficiency and quality of their production processes, making them more profitable. With our expertise in hardware and technology, we are ready to be the ideal partner for the implementation of digital solutions in agriculture through the supply of embedded hardware.

Com a utilização do nosso ecossistema podemos proporcionar aos nossos clientes:



Transformation of a simple tablet into an agricultural GPS, planting monitor and other equipment for process control.



Antenna connectivity, generic communication modules unique to agricultural operations such as ISOBUS and derivatives.



Line of fixing brackets for dedicated equipment equivalent to the market, providing high performance and reduction in the cost of acquisition (National product).



Making electrical harnesses based on machine-to-machine demands and configurations.



Over 50 million in estimated cost savings from our customers



More than 500 clients served



Over 500,000 solutions deployed



National product



Boosting operational life

Manufactured with high quality materials and advanced technology, Roboflex® products increase the operational life of equipment.

BUILD YOUR SOLUTION

Customize a solution specific to your operation.



1 Cases



No fixing
Case without base for rear attachment, ideal for greater mobility in field operations.



Screwed
Ideal for operations where the equipment will be fixed and will not need to be removed from site.



Magnetic
Ideal for operations where equipment needs to be removed from site, during or at the end of the operation.

2 Base to attach to case



Screwed



Magnetic Base

3 Arms



Short arm



Long arm

4 Bases for fixing to the surface



Screwed



Tubular



Adhesive



Suction cup base

5 Device charging and/or data transfer



Cable



Magnetic



IP54 car charger



IP65 car charger

POSSIBLE INSTALLATION LOCATIONS



- 1 Install your device on windshields with Roboflex® adhesive bases or suction cups.
- 2 Use Roboflex® screw bases for installing your device on metal surfaces that allow drilling.
- 3 Roboflex® tubular bases are ideal for installation in tubes up to 28mm.

POSSIBLE INSTALLATION SITES

1



Case TAB A7 T220/225 Fixed
Code: CST040117
Adhesive base size C
Code: BSE040021
Long arm size C
Code: BRC040002

2



Case TAB A7 T220/225 Fixed
Code: CST040117
Bolted base size C
Code: BSE040021
Short arm size C
Code: BRC040004

3



Active 2 Fixed USB-C Case
Code: CST040063
Tubular base size C
Code: BSE040023
Short arm size C
Code: BRC040004

DESIGN ROBOFLEX®

Roboflex® cases are designed for operations in extreme environments. We use full coupling, fully protecting all sides of the tablet. All lines comply with degrees of protection and resistance to drops, impact and vibration.



High strength material



Product with responsive design



Protection against bad weather



Long life product



ROBOFLEX® STANDARD



Robust ecosystem through mechanical and electrical connections and safety



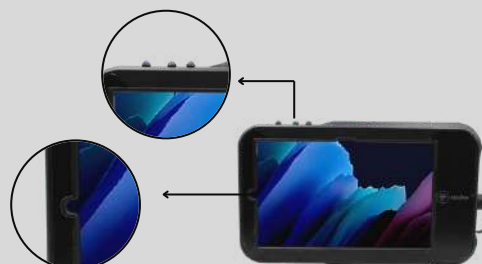
Offers all-case charging capability even in extreme environments



Includes protective film ensuring maximum preservation of screen integrity, protecting against scratches, smudges and other possible damage

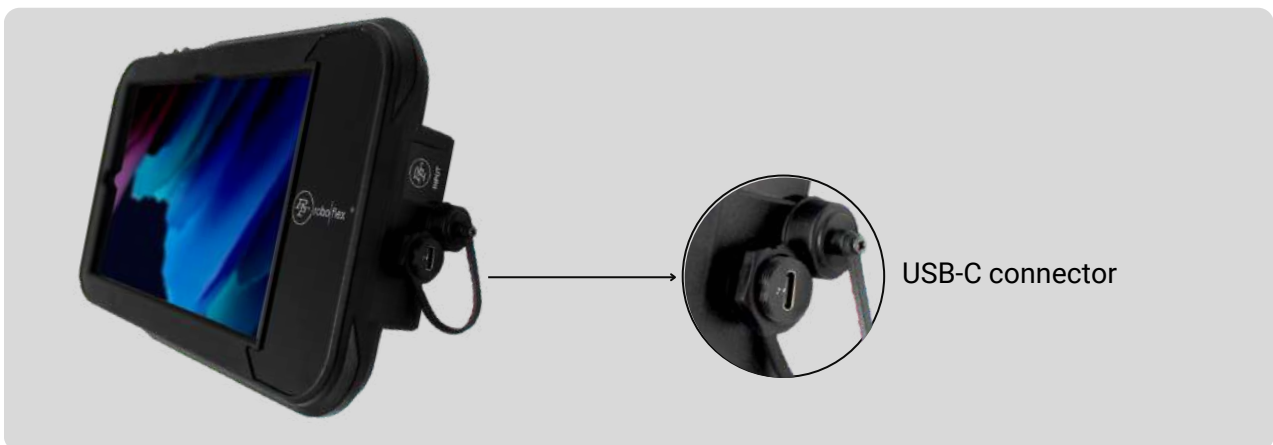
Availability of all* device features, such as access to buttons and cameras

*Except access to memory card and telephony chip





ROBOFLEX® RESOURCES


One of the features offered by Roboflex® is the customization of the connectors, thus enabling the tablet to connect to the most varied equipment. These connectors can be used for charging and/or data transfer.



ROBOFLEX® RESOURCES

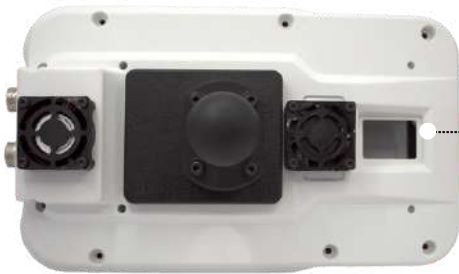
 Anti-theft system

 Charging + Data

 Industrial connection
More strength and safety
than standard connectors

The technologies used in Roboflex® solutions offer compatibility for the use of sensors, industrial signal reading, amplifier boxes and device cooling, all integrated in an ecosystem of hubs, adapters and other peripherals.

DIFERENCIAIS



Ventilation

Possibility of including a ventilation system for equipment that will be under constant exposure to the sun or exposed to high temperatures, thus ensuring better operation and increasing the life of the device



Audio output

Connection to audio devices such as headphones and speakers via P2 input



Signal converters USB-C technology

Roboflex® signal converters are compatible with various devices such as I/O, ethernet, CAN, RS232, USB, P2 and others, helping to maintain the connectivity of the operation.



HUB

Roboflex® HUBs offer port expansion and a variety of connections for other devices, being able to add USB ports, industrial and vehicular communication protocols.

In this photo:

Case for Multilaser M7 7" tablet Fixed Impact

Code: CST040080

Short arm size C

Code: BRC040004

Adhesive Base Size C

Code: BSE040021





MOBILITY

Allows the addition of handles for use of the case in the field. **Compatible with all cases.**



Handstrap



Handle strap



Shoulder strap

USABILITY

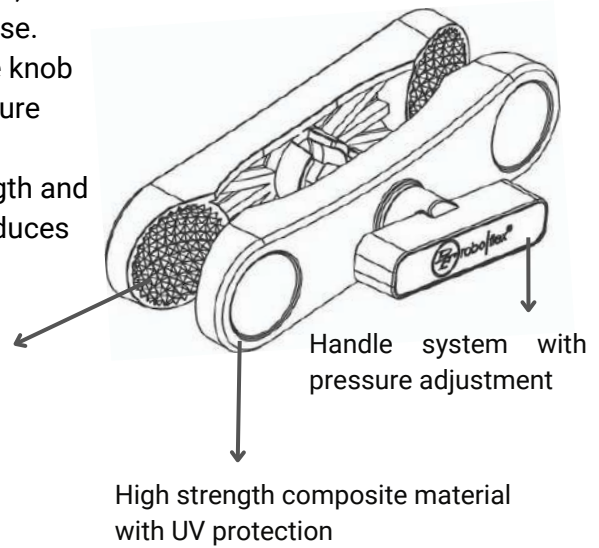
Possibility to add tablet pen holder.
Check compatibility with our products



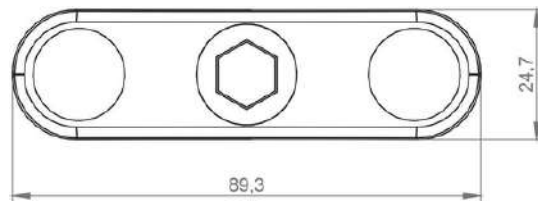
Pen holder

ARM

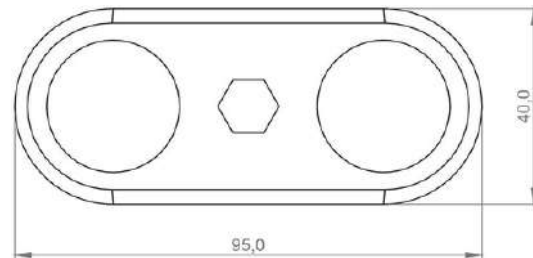
The Roboflex® arms feature the diamond grip system, responsible for promoting maximum grip with the base. In addition to this technology, the arms also have the knob adjustment system, suitable for calibrating the pressure between the components of the product. . The arms are made of a material that has high strength and UV protection, which prolongs the service life and reduces the weight of the product.



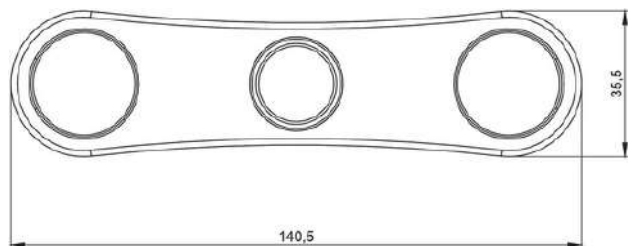
Short arm
Size B (1")
Code: BRC040003
Weight: 80g



Short arm
Size C (1.5")
Code: BRC040004
Weight: 140g

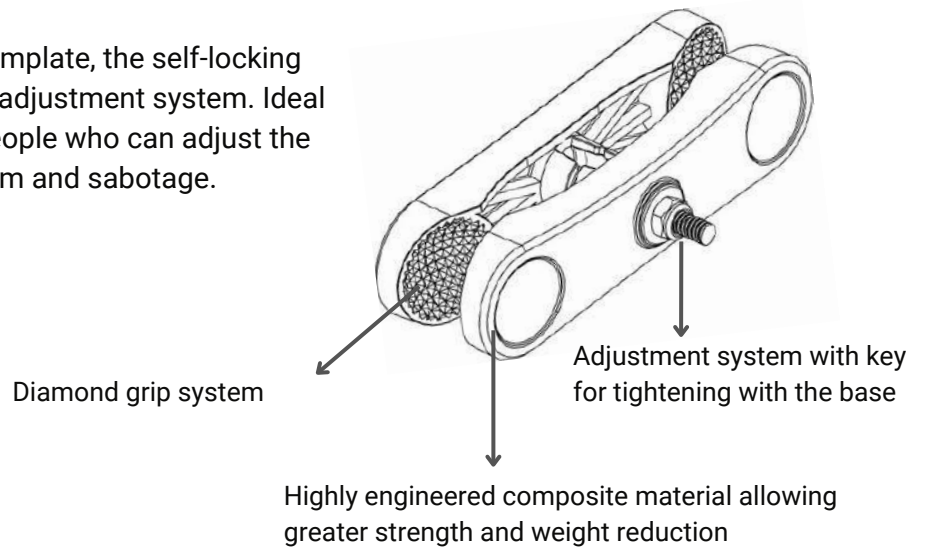


Long arm
Size C (1.5")
Code: BRC040002
Weight: 160g

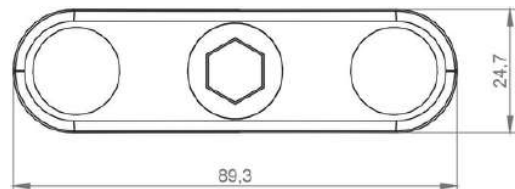


SELF-LOCKING ARM

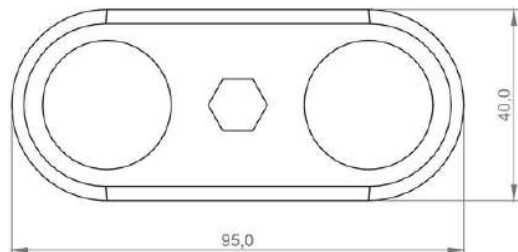
Different from the traditional template, the self-locking model has a key-operated arm adjustment system. Ideal for restricting the number of people who can adjust the part and prevent theft, vandalism and sabotage.



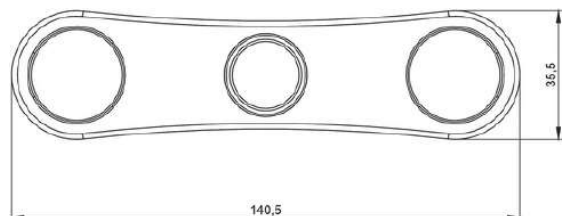
Short self-locking arm
Size B (1")
Code: BRC040006
Weight: 60g



Short self-locking arm
Size C (1.5")
Code: BRC040007
Weight: 140gr

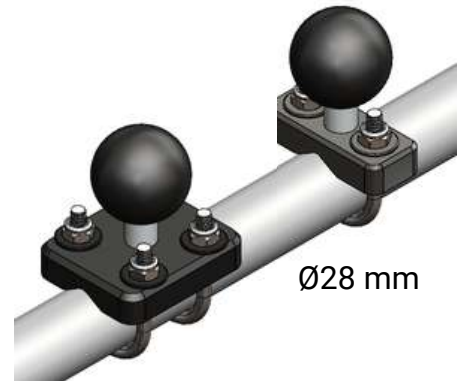


Long self-locking arm
Size C (1.5")
Code: BRC040005
Weight: 140g



TUBULAR BASE

Tubular bases offer a practical and safe solution for fixing to **tubular shaped objects** and can be installed on **tubes up to 28mm**. Ideal for installation on forklift, tractor and other spaces with round tubes.



Tubular base
Size B (1")
Code: BSE040022



Tubular base
Size C (1,5")
Code: BSE040023



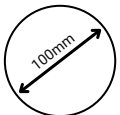
Double tubular base
Size B (1")
Code: BSE040025



Double tubular base
Size C (1,5")
Code: BSE040024

ADHESIVE BASE

The adhesive base allows application to the equipment without the need to drill or alter the fixing surface. It is the ideal option for cases where it will be necessary to remove the device after a period of time or cases where the available surface does not allow the execution of holes for fixing. Developed with technology that allows adaptation on irregular surfaces where the base molds itself according to the application geometry, it can be applied on plastics, glass and metals.

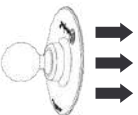


Malleable flat base with a diameter of 100mm. Allows fixing on flat and organic surfaces

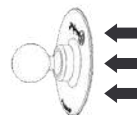


150°

High performance adhesive with durability up to 150 degrees after application



High-tech adhesive for fixing. Can be reused with refill kit



Easy process of removing the product after its period of use



Adhesive base
Size B (1")
Code: BSE040020



Adhesive base
Size C (1,5")
Code: BSE040021

SCREWED BASE

The bolted base is intended for operations where the surface can be drilled and easily accessed by all users.

Made of high-strength, lightweight material, it's a great solution for keeping your gear safe without compromising adjustability.



High strength material



Protection against bad weather



Lightweight product and modern design



Long life product



2 hole base
Size B (1")
Code: BSE040010



2 hole base
Size C (1,5")
Code: BSE040011



4-hole base
Size B (1")
Code: BSE040007



4-hole base
Size C (1,5")
Code: BSE040008



Base 7 holes
Size B (1")
Code: BSE040003

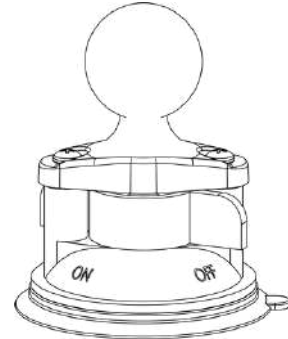


7-hole base
Size C (1,5")
Code: BSE040004

SUCTION CUP BASE

The suction cup line is ideal for users who need to constantly remove the equipment during or at the end of the operation, offering dynamism and ability to resist impacts and temperature where it will be fixed.

Roboflex® suction cups use instant vacuum technology with a high level of absorption. The fixation is long-term resistant, even in operations with high temperatures, providing extra security for fixation on glass, metal, non-porous and non-slotted surfaces.



Suction cup base
Size B (1")
Code: BSE040016



Suction cup base
Size C (1.5")
Code: BSE040015



Double Suction Cup Base
Size B (1")
Code: BSE040017



Double Suction Cup Base
Size C (1,5")
Code: BSE040018



Triple Suction Cup Base
Size B (1")
Code: BSE040014



Triple Suction Cup Base
Size C (1,5")
Code: BSE040012

ROBOFLEX® MAGNETIC SYSTEM

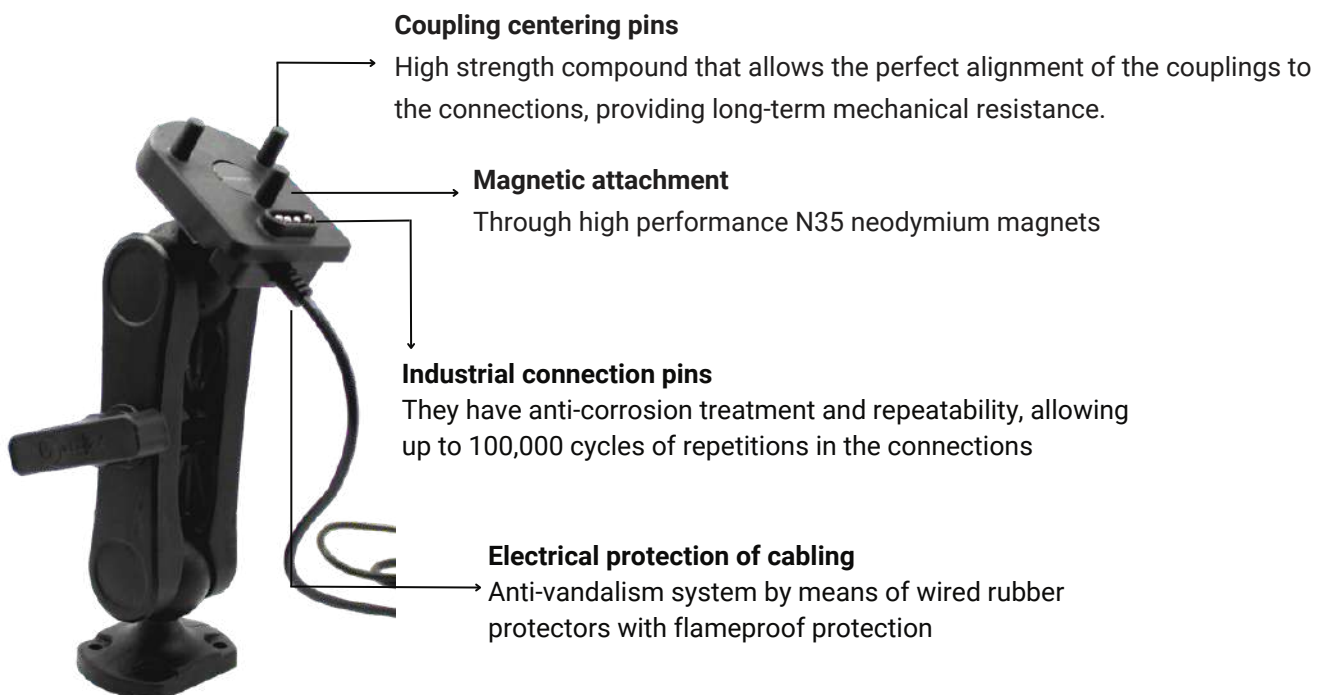
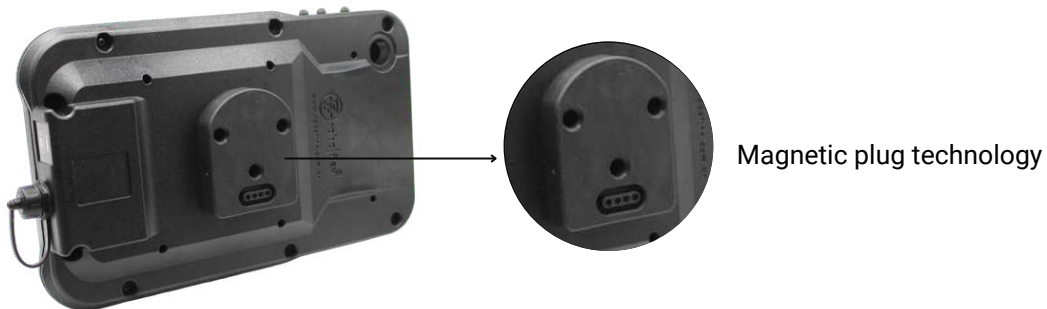
The Roboflex® magnetic system is a **unique technology** that allows devices to be **attached and charged in the cases of the Roboflex® ecosystem**.

The Roboflex® magnetic system is designed to withstand constant removal of the equipment during operation. It keeps the device charged when the plug is connected to the case.

It offers robustness in the field activity, withstanding extreme situations such as vibrations, impacts, weather and repetitions as constant removal of the product during the operation.

Ideal for operations like:

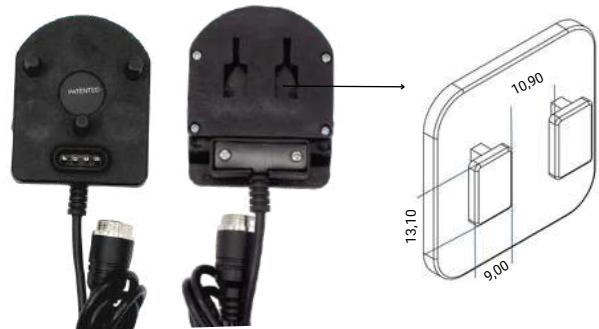
- Operational checklist
- Necessity of off-center pointing from the place of attachment .
- Possibility of moving the device to another operating site



ROBOFLEX® MAGNETIC SYSTEM



Magnetic plug Size C (1.5")
Code: PLG040005
Weight: 180g



Magnetic plug with coupling
Code: PLG040007
Weight: 100g



In this photo:

T220 Magnetic Case

Code: CST040127

Magnetic Plug size C

Code: PLG040005

Long Arm size C

Code: BRC040002

Suction cup base size C

Code: BSE040015

Point your phone's camera at the QR Code and see our magnetic solution in operation.



ADAPTERS



Extender size C
Code: BSE040026

Used to extend the length of the support requiring the use of two arms.



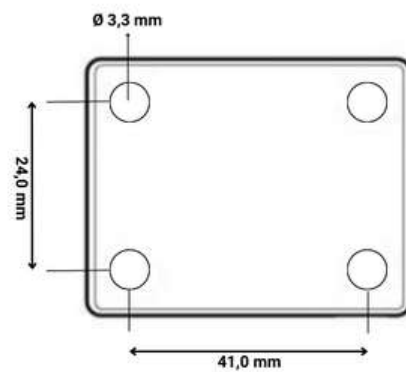
Base ball size B screw 1/4"
Code: BSE040028

Base with 1/4" size screw compatible with international bases for replacement.



Adapter base size C
Code: BSE040029

*Product outside AMPS bore standard



CABLES

The cables and chargers offer charging and data synchronization capabilities.



IP65 charging cable
Code: CBO040008

The IP65 charging cable has the following specifications:

- Dust protection
- Protection against temporary immersion
- Resistance against corrosion due to sea spray
- Protection against water jets



IP54 charging cable
Code: CBO040007

The IP54 charging cable has the following specifications:

- Dust protection
- Protection against water jets
- Industrial connector

CHARGERS



IP65 charger
Code: CAR040004



IP54 charger
Code: CAR040005

TECHNICAL CHARACTERISTICS

- Voltage range: 11 to 31V
- Voltage output : 5.5V
- Maximum current: 10A
- Regulatory:
 - EN 55032: 2015+AC:2016+A11:2020
 - EN 55035: 2017+A11:2020
 - EN IEC 61000-3-2:2019
 - EN 61000-3-3:2013+A1:2019
- Overcurrent and overvoltage protection
- High efficiency up to 95%
- Over-temperature shutdown, output short-circuit protection
- It has holes that allow the equipment to be fixed with screws.
- Cable length: 1m




**For more information
visit our website!**

We have redesigned our website to give our existing and potential customers an insight into our solutions and services offered. Stay tuned to our blog for information on technologies, industry news and our solutions.


For questions and information please contact our sales team.



Click [here](#) and go to our website or point your phone's camera at the QR Code.

 55 31 983520942

 comercial@roboflex.com.br

 55 31 3054-4970

 www.roboflex.com.br



www.roboflex.com.br/en

55 31 3054-4970

55 31 983520942

comercial@roboflex.com.br